



severn valley  
woodworks

# Loglap Timbers

total timber solutions - [www.svw2000.co.uk](http://www.svw2000.co.uk)



*Severn Valley Woodworks offers an extensive range of loglap softwood timbers that can create stunning and effective designs for garden buildings.*

The full range of loglap timbers, shown on the following pages, are machined in our own mill from quality kiln dried softwoods and are available in various lengths from 3m to 6m.

They come pressure pre-treated through our own facilities, with the latest generation TANALITH® E wood preservative. This helps ensure a long and low maintenance service life for your structure with complete protection against decay and insect attack.

As well as our standard range of loglap profiles, we can also manufacture to specific requirements.



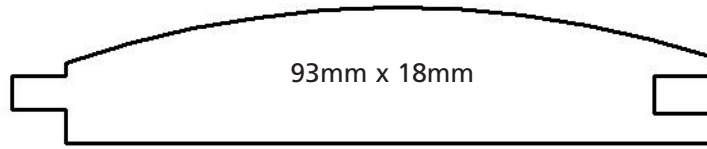
PRESSURE TREATED TIMBER



severn valley  
woodworks

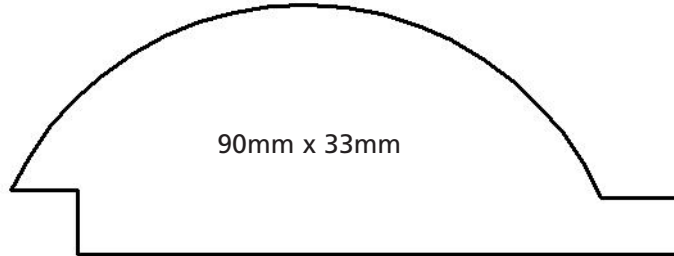
total timber solutions - [www.svw2000.co.uk](http://www.svw2000.co.uk)

## LOGLAP TIMBERS



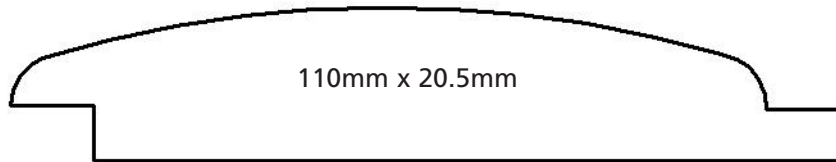
93mm x 18mm

No. 701



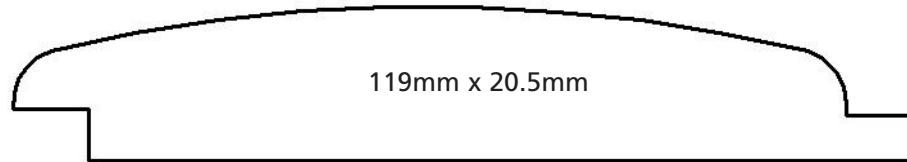
90mm x 33mm

No. 702



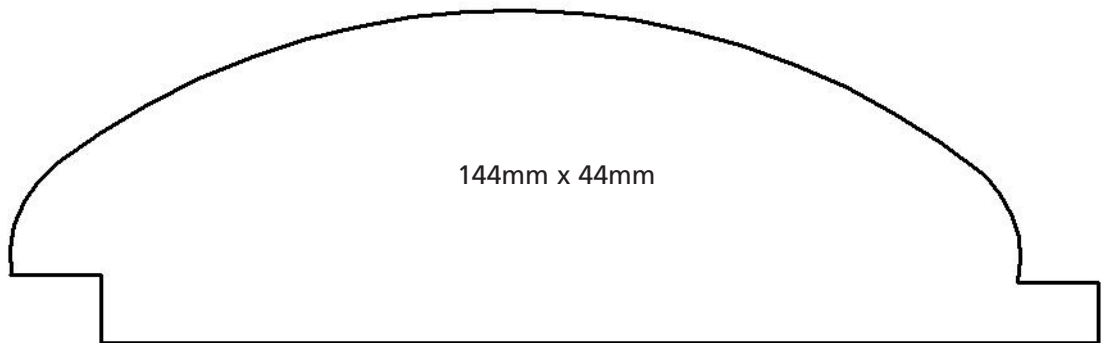
110mm x 20.5mm

No. 703



119mm x 20.5mm

No. 704



144mm x 44mm

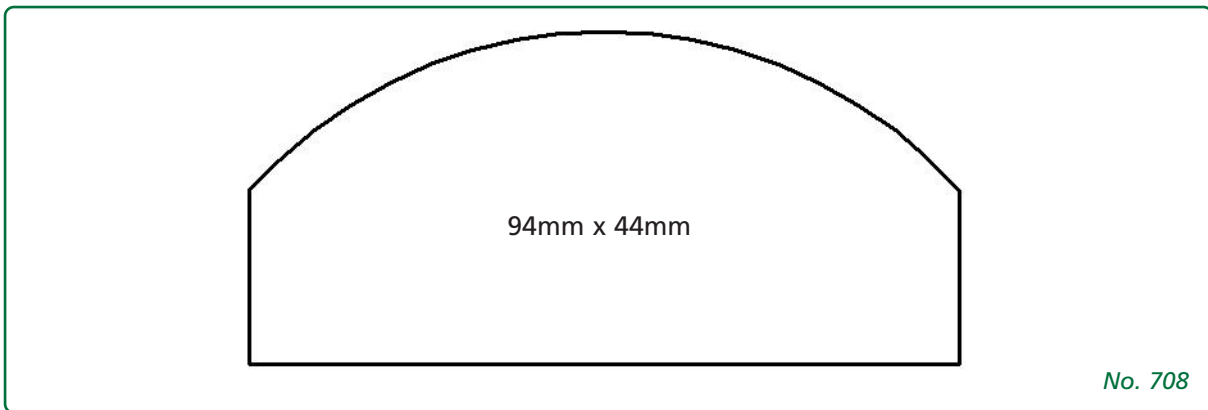
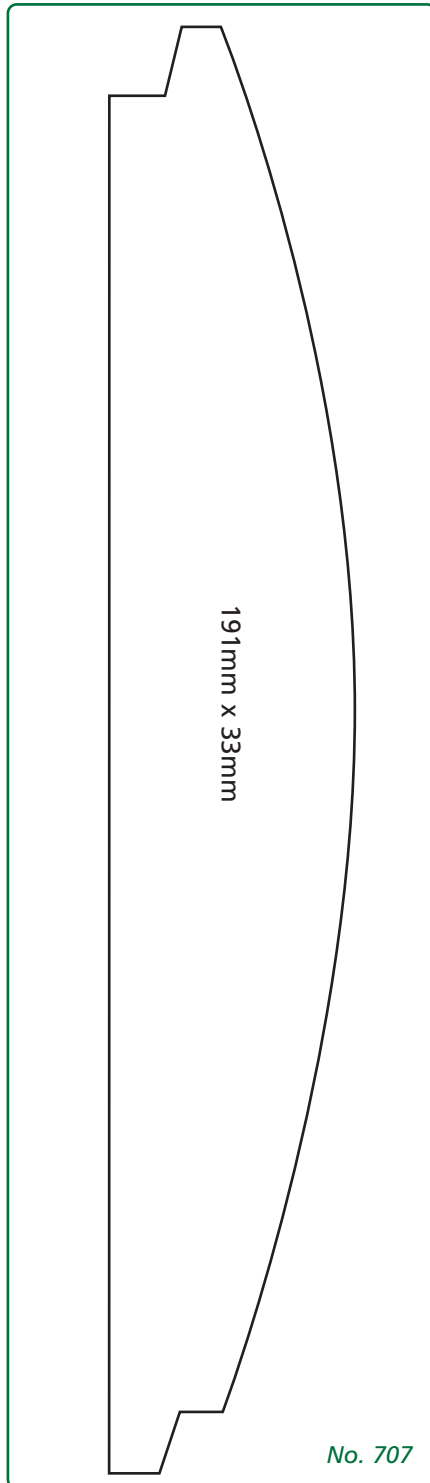
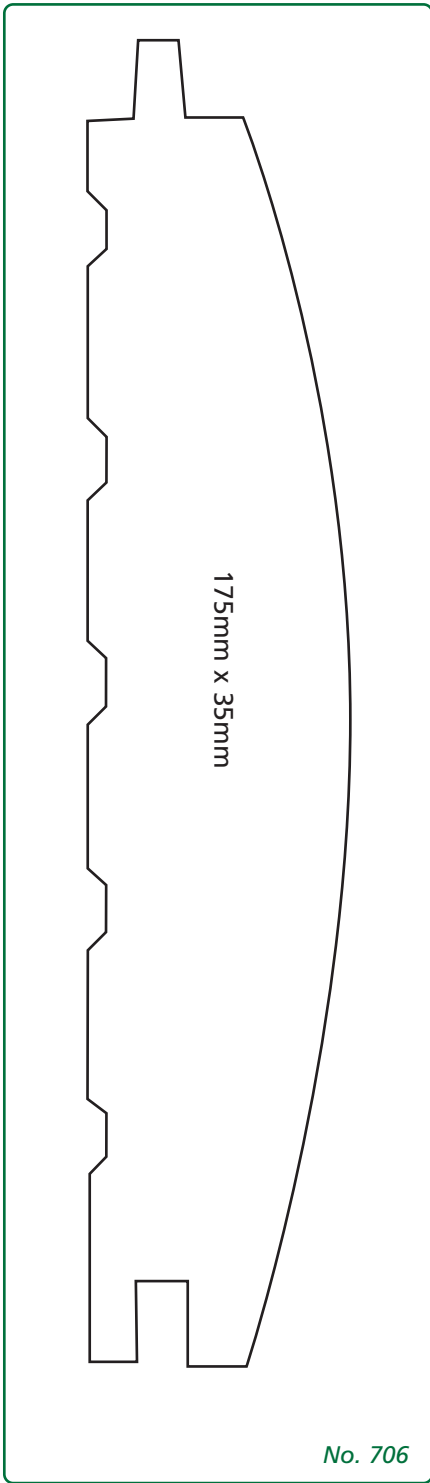
No. 705

# LOGLAP TIMBERS



severn valley  
woodworks

*total timber solutions - [www.svw2000.co.uk](http://www.svw2000.co.uk)*

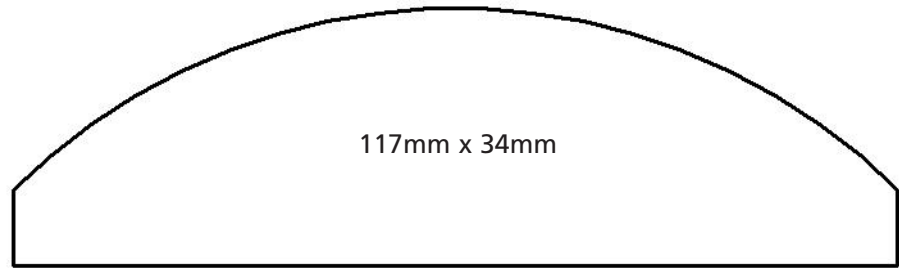




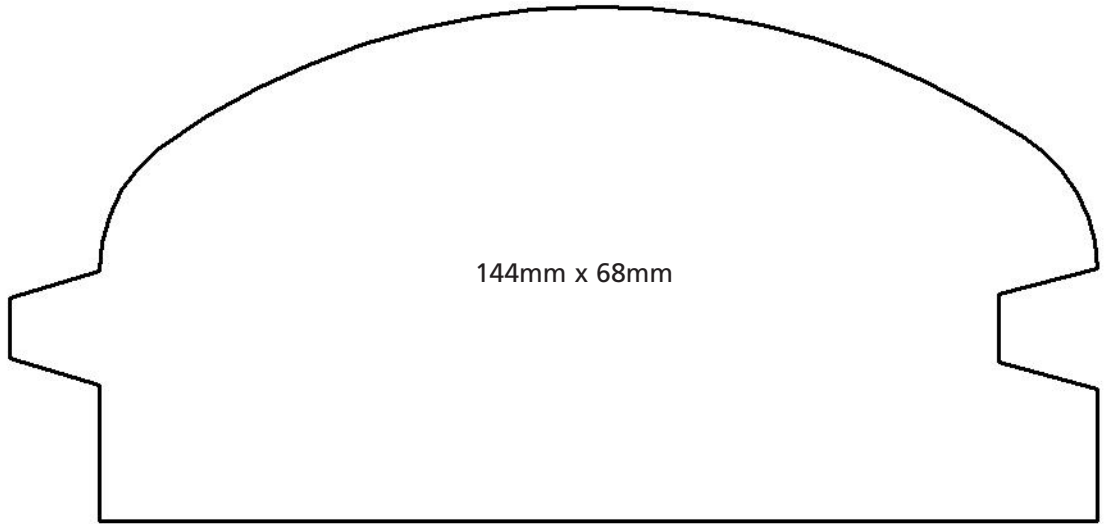
severn valley  
woodworks

## LOGLAP TIMBERS

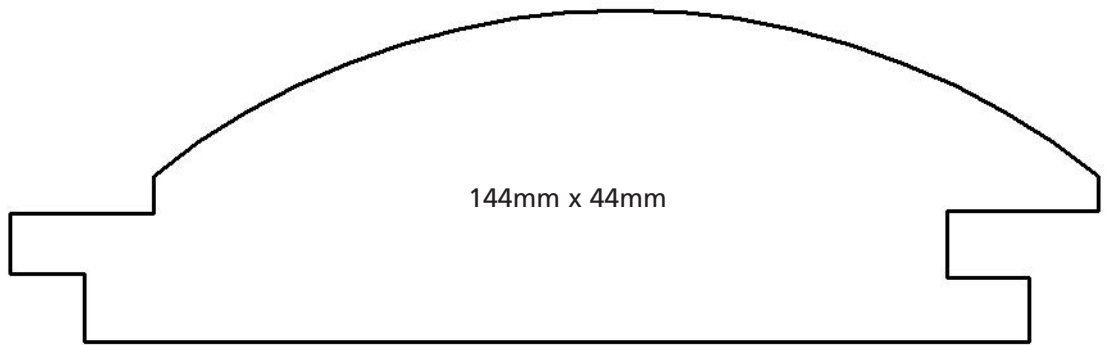
total timber solutions - [www.svw2000.co.uk](http://www.svw2000.co.uk)



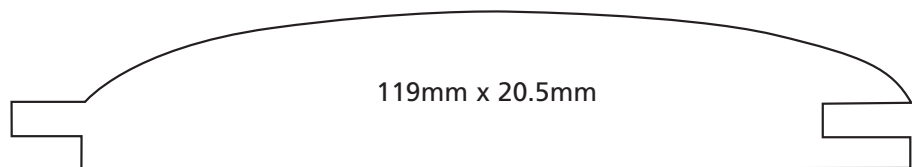
No. 709



No. 710



No. 711



No. 712